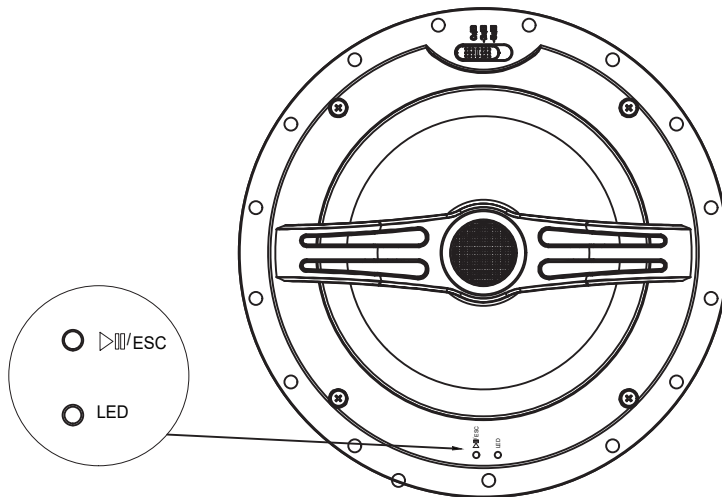


Instruction Manual



ADS8-100BT

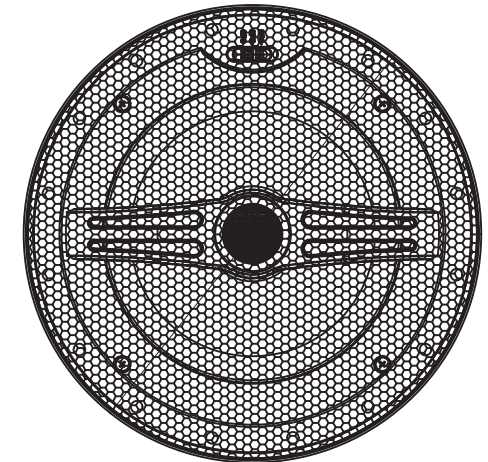
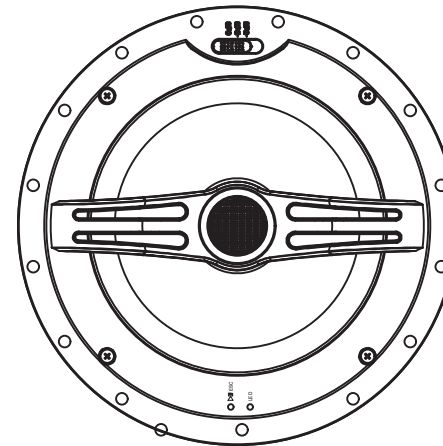


BUTTON:

The button next to the LED on the Accento-Dynamica fascia is intended for installation servicemen to test for successful connections and is not required for general operation. If currently paired (LED is BLUE) then:

Short Button Press: will pause playback, press again commences playback.

Long Button Press: will disconnect the current Bluetooth® connection, and the unit is ready to pair again. LED is RED (See pairing instructions).



Amplifier RMS:50W X2
Amplifier Maximum Power:100W X2
AC 240V IN, DC 24V 2.5A OUT
Bluetooth® VER4.1+EDR
Distance 10M

Thank you for your purchase of the Accento-Dynamica Bluetooth® Ceiling Speaker. Operation is completely hands-free and pairing is easy with no pass key required. Once power is connected, simply pair and stream. The pairing name is "ACCENTO".

OPERATION:

Power-ON the Accento-Dynamica Speaker.

LED Blinking RED:

The unit will amplify LINE-IN (requires line-level audio to be connected to the RCA inputs), and is ready and waiting for any device to connect to it via Bluetooth®.

Pair Your Bluetooth® device.

Turn on your Bluetooth® device and enable Pair to a new device. Pair to "ACCENTO".

LED Constant BLUE:

Indicates you are now paired. Speaker audio heard remains LINE-IN.

Commence streaming from your paired Bluetooth® device.

LED Blinking BLUE:

Indicates the speaker is now streaming Bluetooth® audio from your device.

Return to LINE-IN audio.

LED constant BLUE:

Still paired, but after several seconds of silence, will auto-switch to LINE-IN.

To return to Bluetooth® streaming, press play on your Bluetooth® device.

End Session.

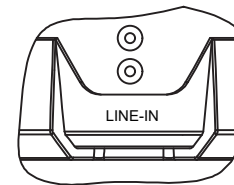
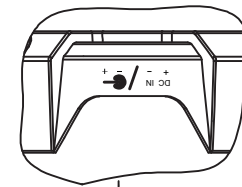
LED Blinking RED: If you disable your Bluetooth® device, pairing is broken, the ceiling speaker amplifier auto-switches to LINE-IN audio playback and the unit remains waiting for any Bluetooth® connection (See above).

Bluetooth® Interrupted.

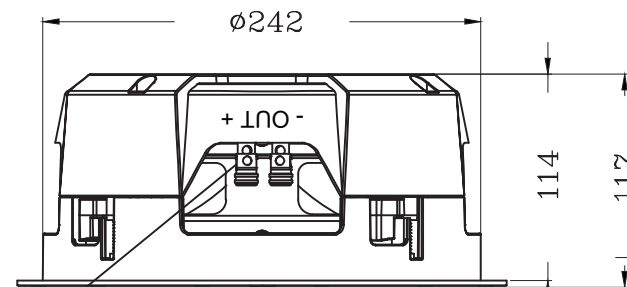
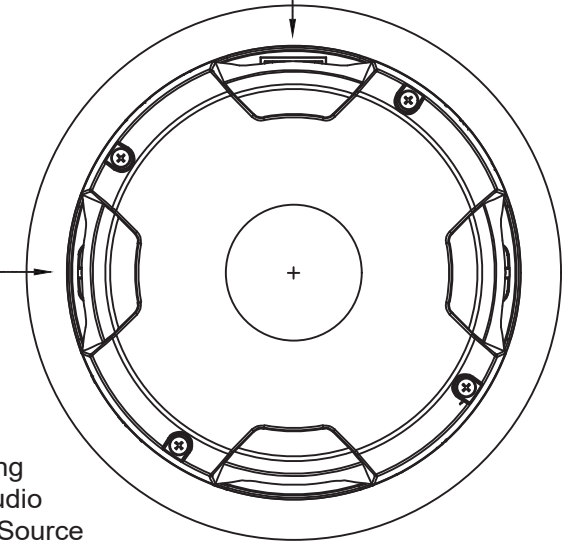
If you leave the Bluetooth® reception area and the speaker loses signal, connection will automatically re-pair & resume once you return to the zone.



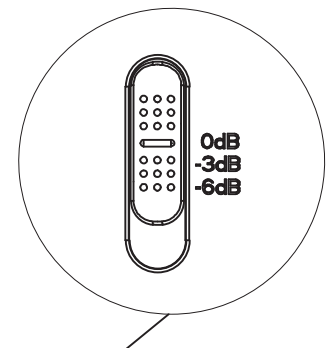
Power connection: Connect the 24V DC power supply to the DC IN Either Screw Terminals Or DC Plug



LINE-IN
2x RCA for connecting Line-Level Stereo Audio Input from an Audio Source
This is default input if no BT Connected (LED is Red)



Connect the passive speaker to the terminals of the OUT via common speaker wire (Not Included)



Tweeter Attenuator
Adjust to desired sound